



南京資訊股份有限公司
PROTECH SYSTEMS

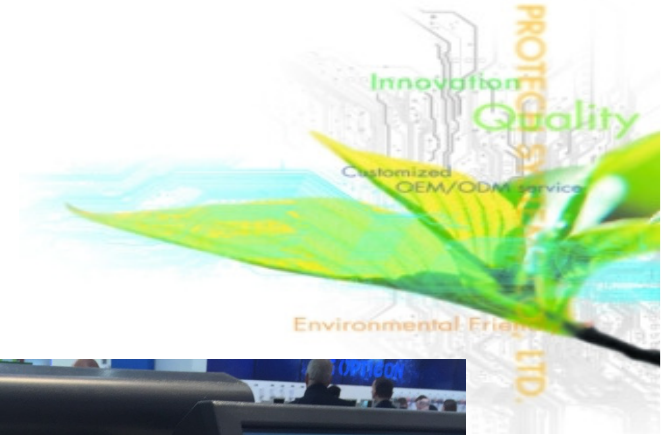


POS Pole sales kit

It's the right choice



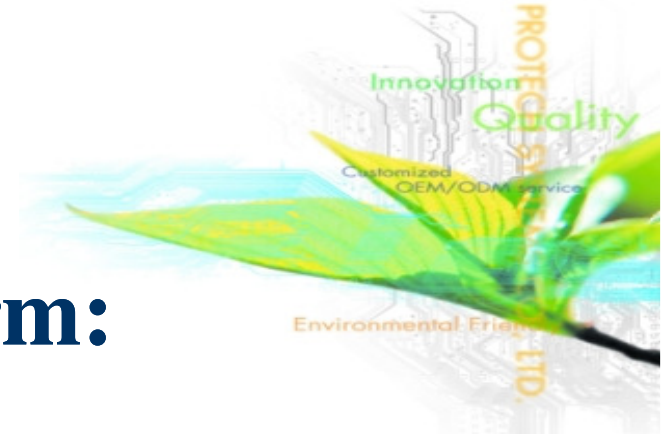
南京資訊股份有限公司
PROTECH SYSTEMS



POS Pole photo:



It's the right choice

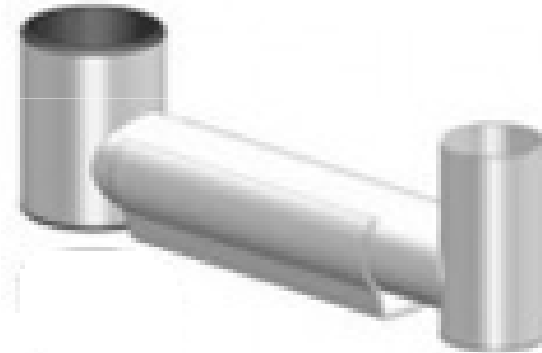


POS pole base:



L:400mm

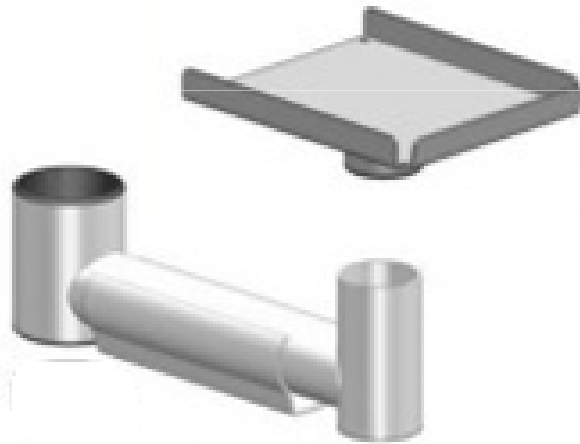
Arm:



L:250mm



Printer plates:

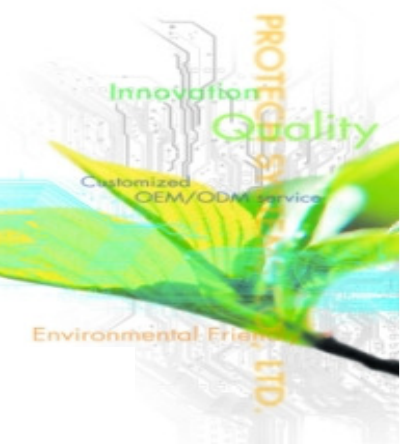


It can adjust length & width
for plates

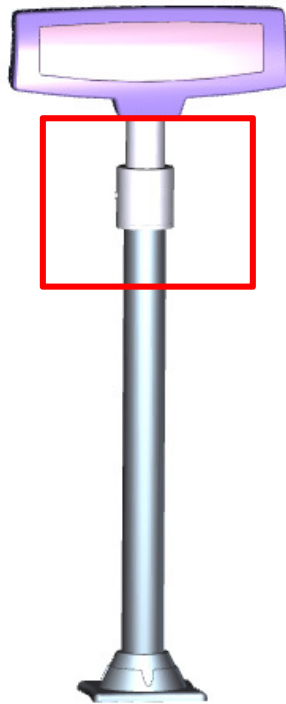
Credit card machine plates:



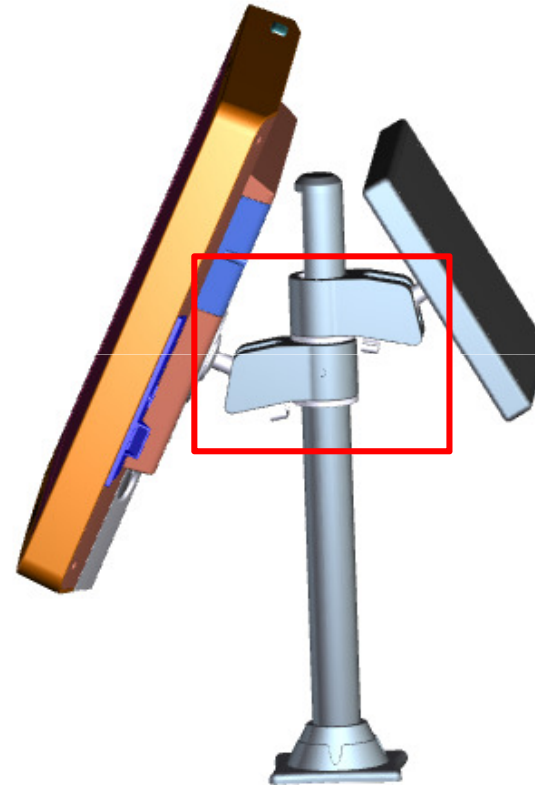
It can adjust length & width
for plates



Customer display cover:



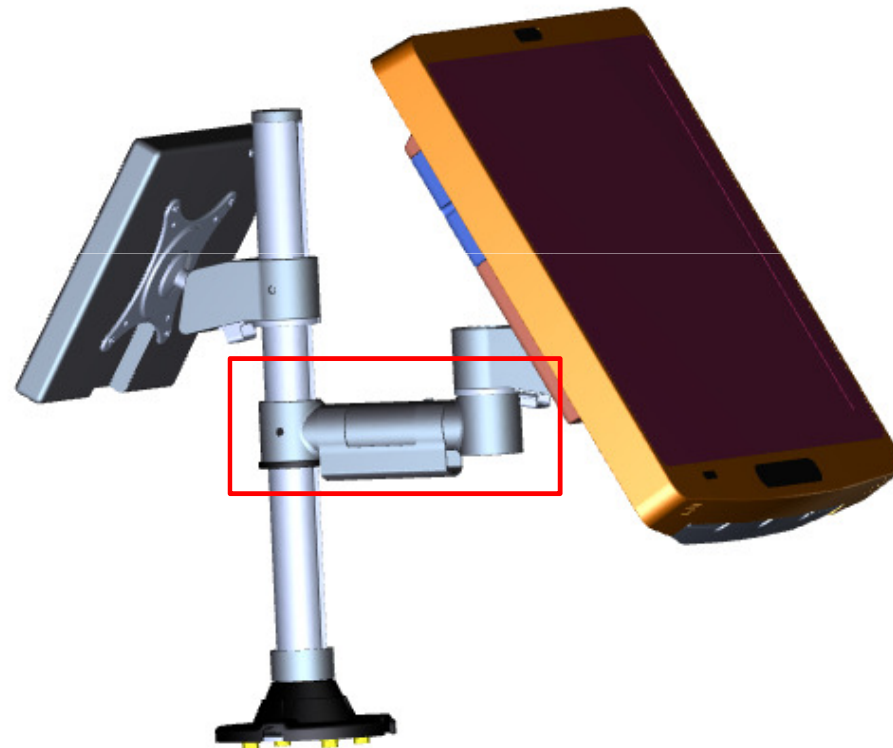
VESA display :

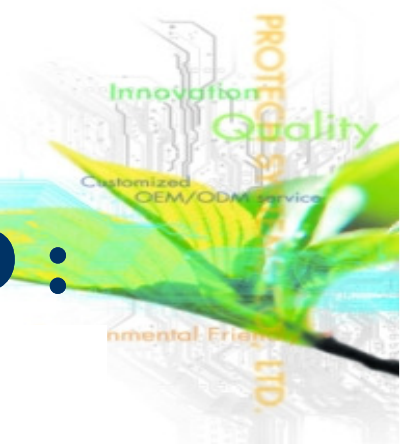


just only for MP-4003 model

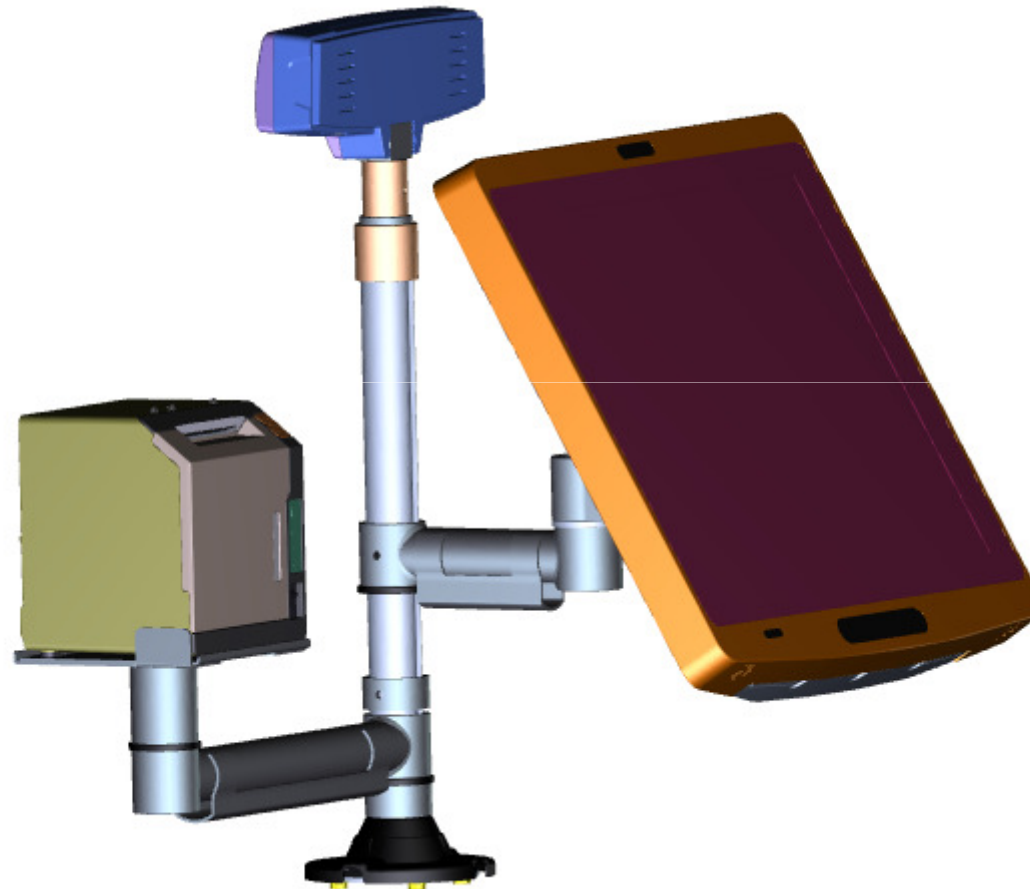


2nd display VESA+ arm support VESA display:



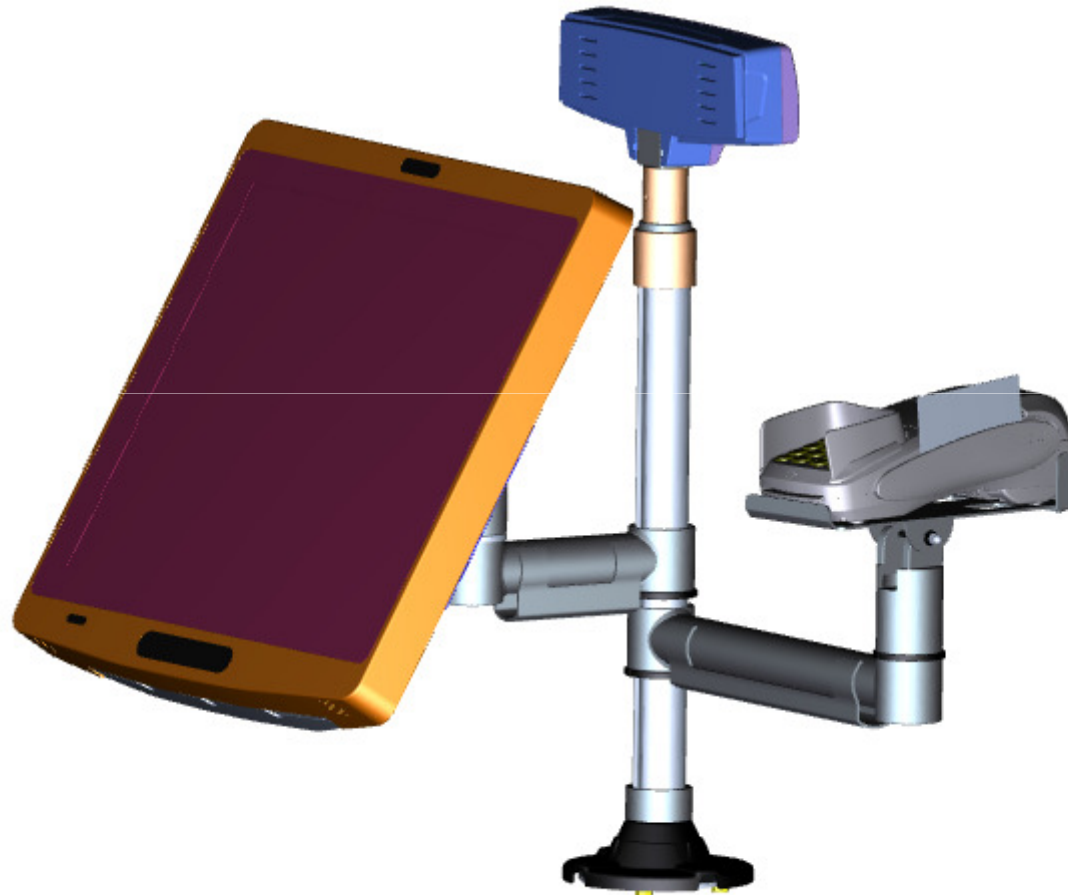


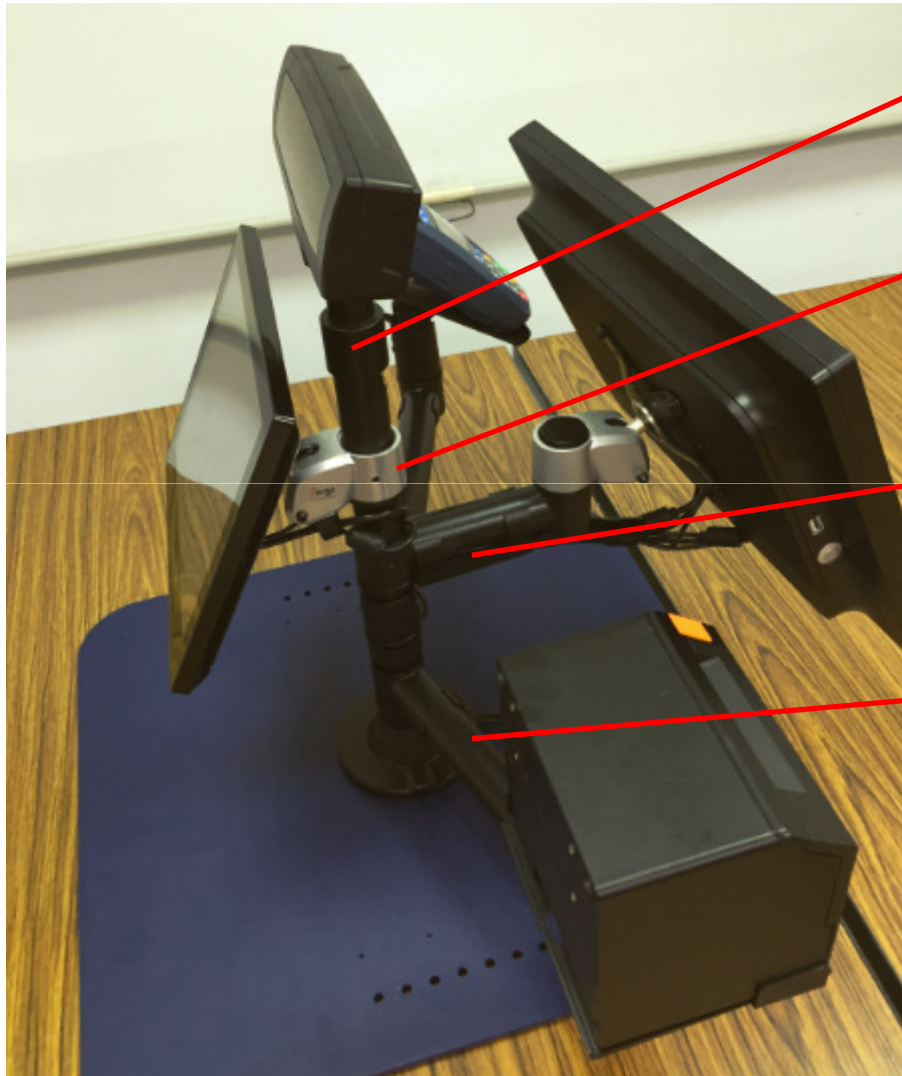
Panel PC + Printer module + VFD :





Panel PC + Credit Card machine +VFD :



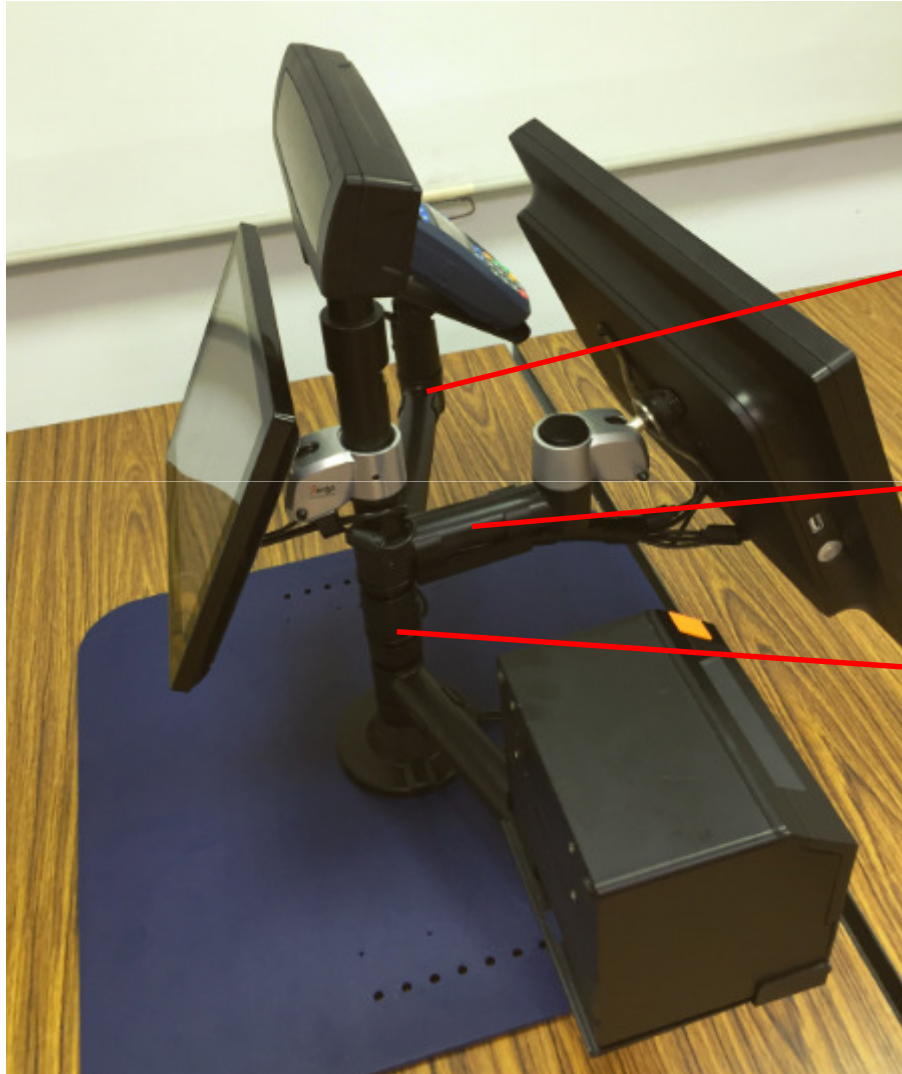
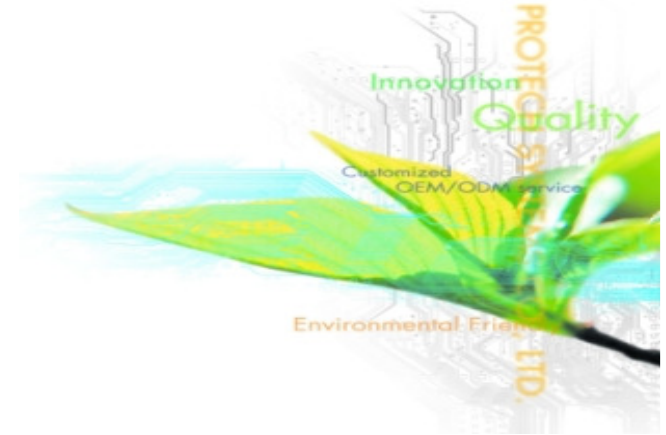


**customer display
cover**

VESA mount

cable cover

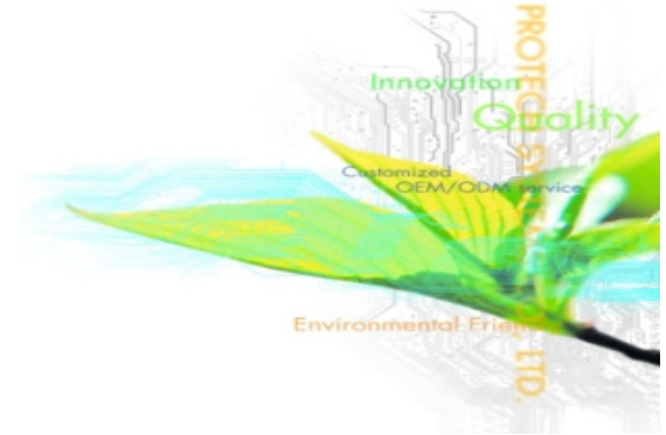
**arm support printer
plates**



**arm support credit
card machine plates**

**arm support VESA
mount**

POS pole base



Accessory:

- A. POS pole base

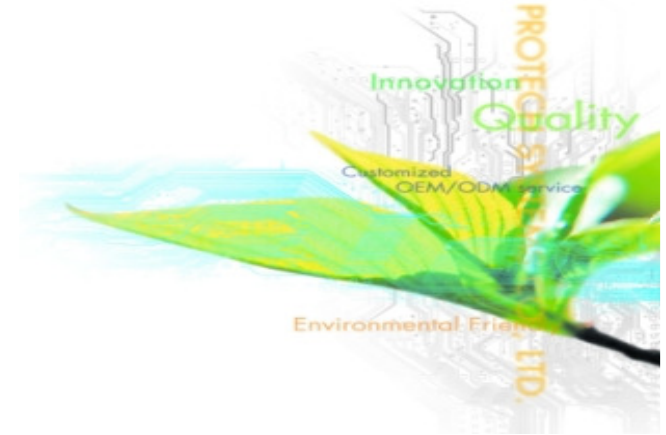


- B. Arm



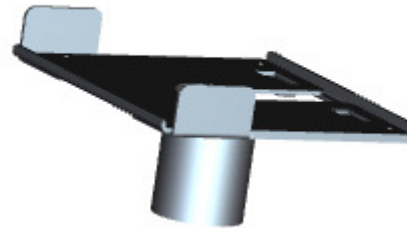
- C. VESA mount





Accessory :

- **D. Printer plates**



- **E. Credit card machine plates**



- **F. Customer display cover**





Using Accessory:

A*1pcs (Pos pole base)

B*3pcs (Arm)

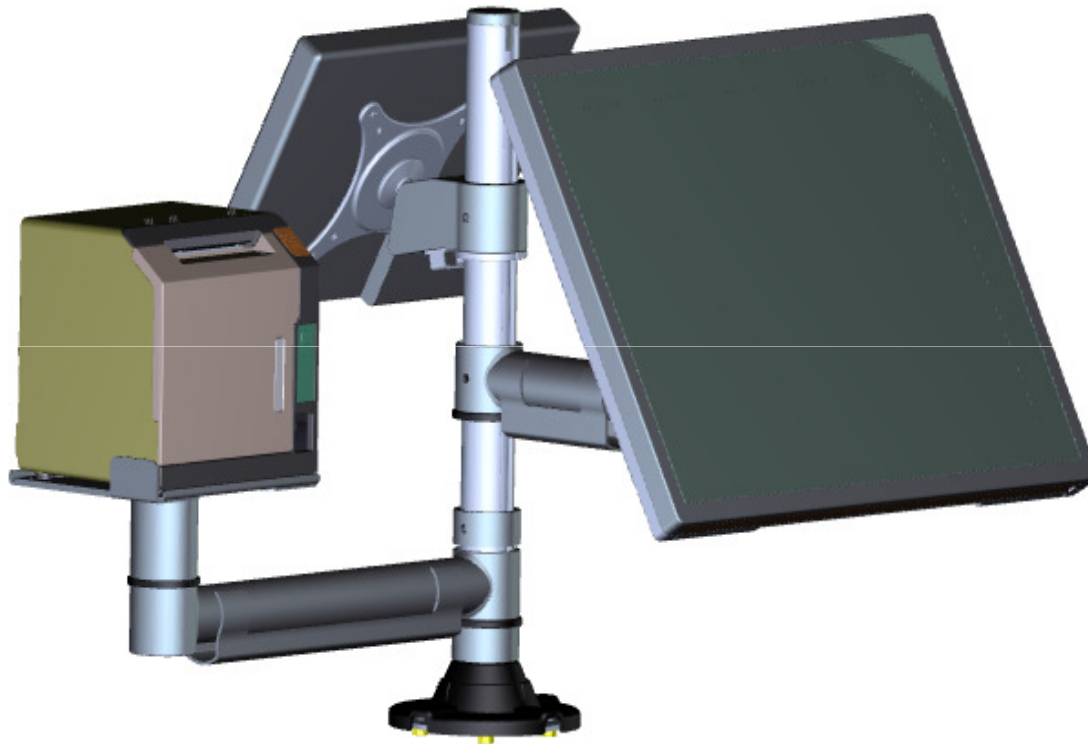
C*2pcs (VESA mount)

D*1pcs (Printer plates)

E*1pcs (Credit card
machine plate)

F*1pcs (customer display
cover)





Using Accessory:

A*1pcs (Pos pole base)

B*2pcs (Arm)

C*2pcs (VESA mount)

D*1pcs (Printer plates)